

**MS300**

## BestPack™ Mobile Stretch Wrapper Semi-Automatic

The BestPack MS300 mobile stretch wrapper is designed to be a portable and efficient aid for packaging in your facility.

Perfect for wrapping pallets in different or changing locations of your warehouse, manufacturing facility, or distribution center. The BestPack MS300-95 mobile stretch wrapper is the ideal solution for environments where flexibility and efficiency in packaging are essential.

**CBM Systems BestPack™ Mobile Wrapper**



### See what the MS300 can do for you!

1. Film Pre-Stretch of up to 300% & 230%.

2. Wrap pallets of nearly all sizes, including irregular, large, and heavy loads.

3. Forklift Free Operation - push button controls allow you to move the machine anywhere!



#### Plug while you're away – Always charged when you need it!

On one full charge, this machine can wrap up to 300 pallets. Just set your wrap settings and let it do the work.



#### Improve load integrity and reduce shipping damage

Consistent performance and excellent load stability during transport keeps your load tightly secured more effectively than hand-wrapping.



#### Lower overall cost per load

Get the job done faster and waste less stretch wrap when switching to a BestPack™ mobile stretch wrapper.

Contact us for more information

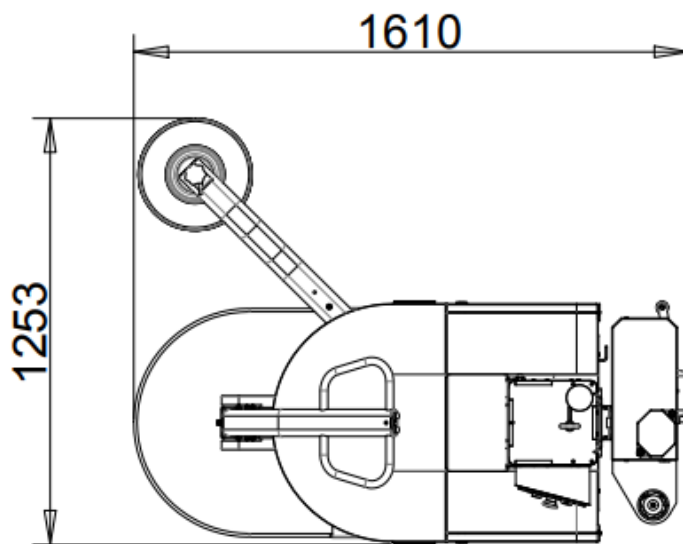
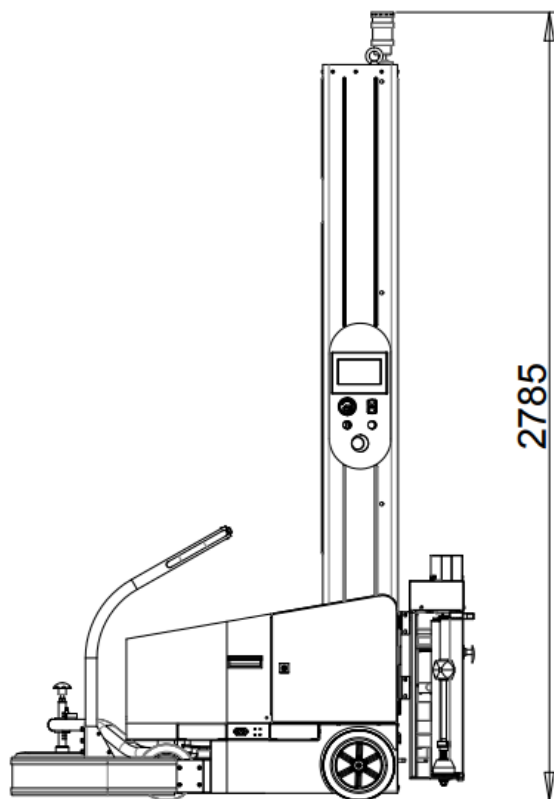
+1 (909) 670-8888 | [sales@cbmsystem.com](mailto:sales@cbmsystem.com) | [www.cbmsystem.com](http://www.cbmsystem.com)

© 2025 CBM Systems, Inc. and BestPack Packaging Systems. All rights reserved. 250131

## MS300 Specifications

Performance	
Traveling Speed	295 ft./min
Max. Pallet Size	∞
Min. Pallet Size	24" L x 24" W
Max Wrapping Height	95" H
Film Delivery	
Film Pre-Stretch Ratio (%)	300% & 230%, two-step changeable with handle (250% & 200% optional)
Film Tension	Adjustable
Film Carriage Speed	Adjustable
Film Capacity	10" diam x 20" W
Height Sensor	Standard
Machine / Shipping Data	
Machine Size	63" L x 49" W x 110" H
Packing Size	102" L x 41" W x 53" H
Machine Net Weight	794 lbs
Noise	≤75 dB(A)
Power Requirements	110V, 60 Hz
Operating Temperature	0°C - 40°C
Accessory (Optional)	Remote Control

## Machine Footprint



## Make wrapping as easy as 1... 2... 3...!

*Position your wrapper, hit start, and let the MS300 take care of the rest!*

- Keep your products secure and stable as your pallet stays in place while being wrapped.
- Adjustable wrap settings to meet any specific needs and ensure optimal protection.
- Stage your pallets and wrap them without the need for a forklift.
- Pre-stretch film up to 300%.
- Compact and space-efficient compared to large stationary rotary wrappers.
- Touchscreen Interface - Simple to use and saves up to 10 wrap settings!

Specifications subject to change without notice.  
<sup>1</sup> Wrap speeds may vary depending on load configuration.

Contact us for more information

**+1 (909) 670-8888 | sales@cbmsystem.com | www.cbmsystem.com**

© 2025 CBM Systems, Inc. and BestPack Packaging Systems. All rights reserved. 250131